



DUNCAN
AVIATION

1997 GULFSTREAM G-V

SN 514 | M-THOR



1997 GULFSTREAM G-V SN 514 | M-THOR

AIRFRAME

Total Time	7347.2
Total Landings	2540
Program	MSP-M

ENGINES

	1	2
Description	Rolls Royce BR710A1-10	
Program	RRCC	
Serial No.	11149	11150
Total Time Since New	7274.4	7292.9
Cycles	2476	2489

APU

Description	Honeywell RE220
Program	JSSI
Serial No.	P-113
Total Time Since New	4774



EXTERIOR

Overall Matterhorn White with Deep Red and Grey Stripes



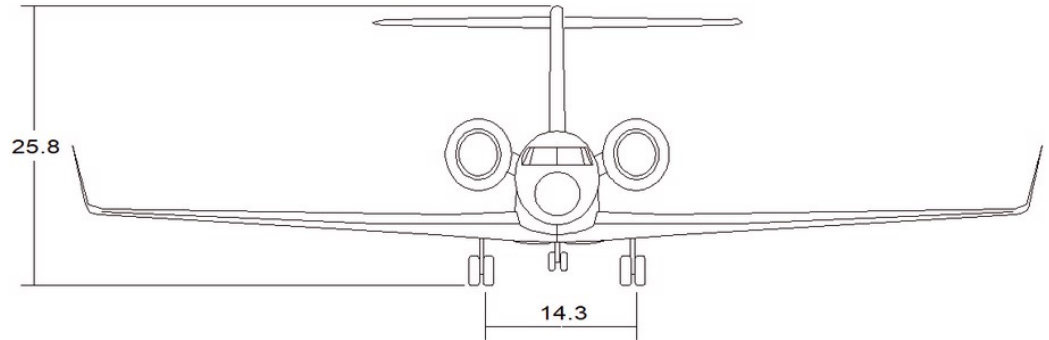
Contacts: Tim Barber | +44 7836 352 676 | Tim.Barber@DuncanAviation.com
Leah Alexander | +1 312 985 6230 | Leah.Alexander@DuncanAviation.com
www.DuncanAviation.aero/aircraftsales

Specifications, description, and photos are for informational purposes and are subject to verification by purchaser's inspection. Aircraft is subject to prior sale or withdrawal from market. Verification of aircraft equipment, times and aircraft condition is the sole responsibility of the purchaser.

1997 GULFSTREAM G-V SN 514 | M-THOR

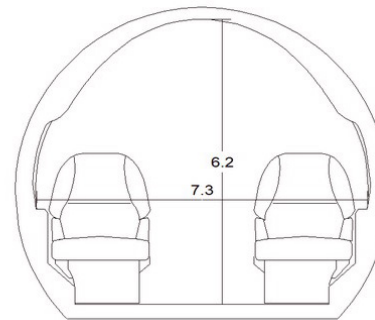
HIGHLIGHTS

FOURTEEN PASSENGER EXECUTIVE CONFIGURATION
FORWARD CREW REST
FANS 1/A+
CPDLC
WAAS/LPV
HUD
TCAS 7.1
MCS 7120 SATCOM UPGRADE
EXTERNAL CAMERA SYSTEM
GROSS WEIGHT INCREASE MOD



MAINTENANCE STATUS

Engine, APU, and components on programs
Maintained per MSG-3 Inspection Program
MYCMP Maintenance Tracking
96 month inspection items c/w May 2022
Horizontal stabilizer inspection c/w May 2022
Landing gear inspection c/w Dec 2022



Contacts: Tim Barber | +44 7836 352 676 | Tim.Barber@DuncanAviation.com
Leah Alexander | +1 312 985 6230 | Leah.Alexander@DuncanAviation.com
www.DuncanAviation.aero/aircraftsales

Specifications, description, and photos are for informational purposes and are subject to verification by purchaser's inspection. Aircraft is subject to prior sale or withdrawal from market. Verification of aircraft equipment, times and aircraft condition is the sole responsibility of the purchaser.

1997 GULFSTREAM G-V SN 514 | M-THOR

AVIONICS

Description	Quantity/Model
ADC:	Triple Honeywell AZ 840 Micro
ADF:	Dual Collins ADF-462
AFIS:	Honeywell SATAFIS Data Management System
Comms:	Dual Collins DME-442
CVR:	L3 FA2100 SSCVR
DME:	Dual Collins DME-442
ELT:	Artex C406-2 ELT w/ Nav interface
FDR:	B&D DFDR
FMS:	Dual Honeywell IC-800 w/6.1; NZ-2000 6.1 (LPV) w/ CD-830 CDUs
GPS:	Dual Honeywell HG2021KD02 w/WAAS
Hi Frequency:	Dual Collins HF-9034A
Heads Up Display:	Honeywell HUD HG200
IRS:	Triple Honeywell LASEREF IV
Lightning Sensor:	Honeywell LU-860
Nav Radios:	Dual Collins VIR-432
Radio Altimeter:	Dual Honeywell RT-300
SATCOM:	Honeywell SD-600
Stormscope:	Honeywell LP-850
TAWS:	Honeywell Mark V EGPWS
TCAS:	Honeywell TPU-67B w/change 7.1
Transponder:	Dual Collins TDR-94D Mode S Enhanced
Weather Radar:	Honeywell Primus 880



Contacts: Tim Barber | +44 7836 352 676 | Tim.Barber@DuncanAviation.com
Leah Alexander | +1 312 985 6230 | Leah.Alexander@DuncanAviation.com
www.DuncanAviation.aero/aircraftsales

Specifications, description, and photos are for informational purposes and are subject to verification by purchaser's inspection. Aircraft is subject to prior sale or withdrawal from market. Verification of aircraft equipment, times and aircraft condition is the sole responsibility of the purchaser.

1997 GULFSTREAM G-V SN 514 | M-THOR

INTERIOR

	Description
PASSENGERS:	14
FORWARD CABIN:	2 Club Seats, 4 Place Divan
MID CABIN:	4 Club Seats
AFT CABIN:	4 Place Conference Group

NOTABLE FEATURES

- Forward and aft lavatories
- Adjustable headrests
- Pullout footrests
- Single level track & recline/180 degree swivel control
- Entertainment & communication systems with Airshow 400
- Fax machine
- 14-inch forward bulkhead LCD & aft credenza video monitors
- Single arm-rest seat monitors
- 3 Sony DVD players
- 2 Sony VHS & compact disc players



Contacts: Tim Barber | +44 7836 352 676 | Tim.Barber@DuncanAviation.com
Leah Alexander | +1 312 985 6230 | Leah.Alexander@DuncanAviation.com
www.DuncanAviation.aero/aircraftsales

Specifications, description, and photos are for informational purposes and are subject to verification by purchaser's inspection. Aircraft is subject to prior sale or withdrawal from market. Verification of aircraft equipment, times and aircraft condition is the sole responsibility of the purchaser.

1997 GULFSTREAM G-V SN 514 | M-THOR



Contacts: Tim Barber | +44 7836 352 676 | Tim.Barber@DuncanAviation.com
Leah Alexander | +1 312 985 6230 | Leah.Alexander@DuncanAviation.com
www.DuncanAviation.aero/aircraftsales

Specifications, description, and photos are for informational purposes and are subject to verification by purchaser's inspection. Aircraft is subject to prior sale or withdrawal from market. Verification of aircraft equipment, times and aircraft condition is the sole responsibility of the purchaser.

1997 GULFSTREAM G-V SN 514 | M-THOR



Contacts: Tim Barber | +44 7836 352 676 | Tim.Barber@DuncanAviation.com
Leah Alexander | +1 312 985 6230 | Leah.Alexander@DuncanAviation.com
www.DuncanAviation.aero/aircraftsales

Specifications, description, and photos are for informational purposes and are subject to verification by purchaser's inspection. Aircraft is subject to prior sale or withdrawal from market. Verification of aircraft equipment, times and aircraft condition is the sole responsibility of the purchaser.

1997 GULFSTREAM G-V SN 514 | M-THOR



Contacts: Tim Barber | +44 7836 352 676 | Tim.Barber@DuncanAviation.com
Leah Alexander | +1 312 985 6230 | Leah.Alexander@DuncanAviation.com
www.DuncanAviation.aero/aircraftsales

Specifications, description, and photos are for informational purposes and are subject to verification by purchaser's inspection. Aircraft is subject to prior sale or withdrawal from market. Verification of aircraft equipment, times and aircraft condition is the sole responsibility of the purchaser.

1997 GULFSTREAM G-V SN 514 | M-THOR



Contacts: Tim Barber | +44 7836 352 676 | Tim.Barber@DuncanAviation.com
Leah Alexander | +1 312 985 6230 | Leah.Alexander@DuncanAviation.com
www.DuncanAviation.aero/aircraftsales

Specifications, description, and photos are for informational purposes and are subject to verification by purchaser's inspection. Aircraft is subject to prior sale or withdrawal from market. Verification of aircraft equipment, times and aircraft condition is the sole responsibility of the purchaser.

OUR COMMITMENT:

To leverage the extensive experience and resources of Duncan Aviation for the benefit of business aircraft sales and acquisition clients worldwide. Put 65+ years, more than 2,500 team members worldwide, and the experience that comes with more than 3,500 aircraft transactions to work for you.



Tim Barber, EMEA Aircraft Sales
+44 7836 352 676 | Tim.Barber@DuncanAviation.com

Tim Barber is based in the UK and primarily focuses on markets outside of the US. His activities have seen him working as an exclusively mandated broker on behalf of aircraft buyers and sellers in Europe, Asia, the Middle East, India, Australia, as well as the United States and South and Central America. He has been in aircraft sales and acquisitions for 13 years and prior to joining Duncan Aviation he had been the driving force behind the establishment of JetBrokers Europe, ultimately overseeing its operational merger with JetBrokers Inc. Tim has a good deal of business experience, having run sizable companies and held directorships with businesses listed on the Financial Times Stock Exchange (FTSE) and the Alternative Investment Market (AIM) in the UK. In 2019, he was named a 2019 Top 30 International Dealmaker by Corporate Jet Investor.

Tim has enjoyed an unprecedented run over a period spanning 10-months between 2021 and 2022 in which he achieved an average of a deal a month. Nothing smaller than a Phenom 300 sale, with the largest sale being a BBJ2. On the acquisition side, he secured a number of Legacy 600s and most recently a G450 for clients.

OUR COMMITMENT:

To leverage the extensive experience and resources of Duncan Aviation for the benefit of business aircraft sales and acquisition clients worldwide. Put 65+ years, more than 2,500 team members worldwide, and the experience that comes with more than 3,500 aircraft transactions to work for you.



Leah Alexander, Aircraft Sales
+1 312 985 6230 | Leah.Alexander@DuncanAviation.com

Leah grew up in business aviation and began working in the industry over 20 years ago. She brings a combination of market analysis and business development expertise, as well as experience with aviation management and consulting to her role as an aircraft broker. She has also been deeply involved in the broader business aviation community throughout her time in the industry, including roles with the Chicago Business Aviation Association's Membership Committee and Safety Committee, as well as the International Business Aviation Council's IS-BAH Standards Board. Prior to joining Duncan Aviation's Aircraft Sales and Acquisitions team, she had previously held a management position at Vertiport Chicago and was principal of Business Aviation Insights.

Leah has earned recognition as a Certified Aircraft Sales Broker from the International Aircraft Dealers Association (IADA).





Founded by Donald Duncan in 1956 as an Aircraft Sales company, Duncan Aviation is a 4th generation, family owned MRO with more than 2,500 employees who are dedicated to supporting all aspects of aircraft operation and ownership. Duncan Aviation has developed an unparalleled network of contacts by providing services to more than 4,000 aircraft each year and maintaining relationships with nearly 60,000 aircraft owners, operators, and industry sources worldwide. We have a global reputation of trust, transparency, and innovation.

Aircraft Acquisition & Consignment | Airframe Maintenance | Avionics Installation | Engine & APU | Government & Special Programs
Engineering & Certification Services | Paint & Interior | Parts, Avionics, Instruments & Accessories | Emergency Assistance (AOG)



www.DuncanAviation.aero